

After Sales Technical Documentation

NHE-6/NHK-6 SERVICE ACCESSORIES

NHE-6/NHK-6 SERVICE ACCESSORIES

Contents

List of Service Accessories	Page 5
Service Box JBU-4	Page 5
Product Code	Page 5
View of JBU-4	Page 5
MBUS Cable DAU-4S	Page 6
Product code	Page 6
View of DAU-4S	Page 6
PC/MBUS Adapter DAU-2T	Page 7
Product Code	Page 7
View of DAU-2T	Page 7
D9/D25 RS-232 Adapter	Page 7
Product Code	Page 7
View of Adapter	Page 7
Service Cables SCS-4 and SCS-4B	Page 8
Product code	Page 8
View of SCS-4 and SCS-4B	Page 8
Audio Cable ADS-1	Page 9
Product code	Page 9
View of ADS-1	Page 9
Power Connector PCS-1	Page 10
Product code	Page 10
View of PCS-1	Page 10
Service Battery BBS-2	Page 11
Product code	Page 11
View of Service Battery	Page 11
Module Jig JBS-18	Page 12
Product code	Page 12
View of Module Jig	Page 12
SW Security Device "Dongle" PKD-1	Page 13
Product Code	Page 13
View of SW Security Device	Page 13
Battery Adapter CGH-6S	Page 14
Product Code	Page 14
View of Battery Adapter	Page 14
Flash Prommer FPS-4	Page 15
Product Code	Page 15
View of FPS-4	Page 15

Technical Documentation

Flash Loading Adapter FLA-3	Page 16
Product Code	Page 16
View of	Page 16
System Cable SCH-3	Page 17
Product Code	Page 17
View of SCH-3	Page 17

List of Service Accessories

Service Box JBU-4

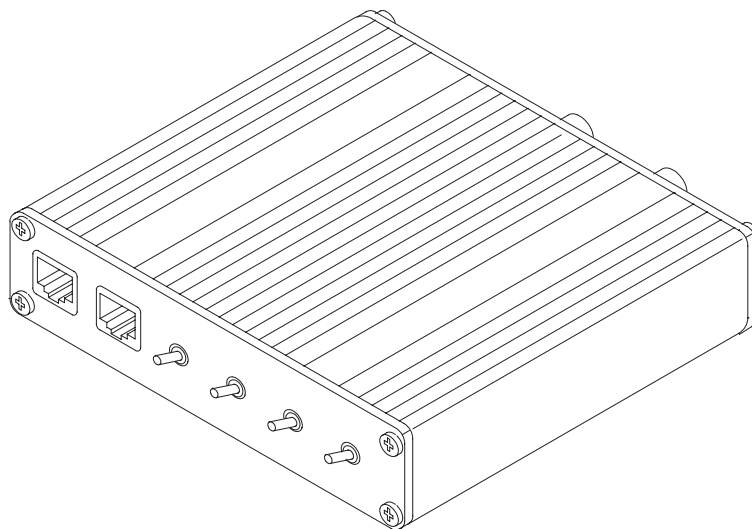
Service box provides convenient test environment (regulated power supply, M2BUS, preset battery reference voltage, external RF connection; not used in NHE-5/NHK-5, audio test loops) in one box.

Product Code

Service Box JBU-4:

0770041

View of JBU-4



G0770041

MBUS Cable DAU-4S

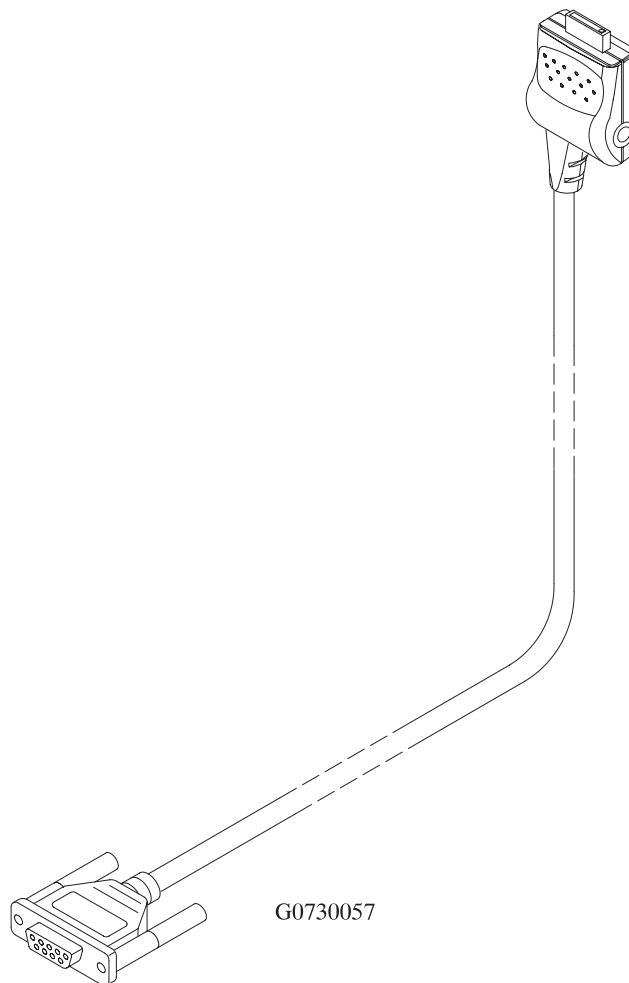
DAU-4S is connected between the phone and the serial (COM) port of the PC. It matches the MBUS data bus signals to the serial data bus of the computer.

Product code

MBUS Cable DAU-4S:

0730057

View of DAU-4S



PC/MBUS Adapter DAU-2T

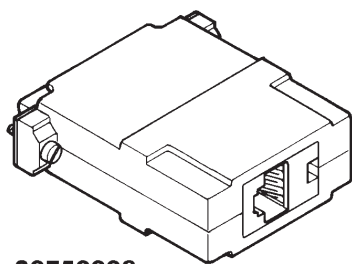
DAU-2 can be used instead of DAU-4S as RS232 to MBUS converter.

Product Code

PC/MBUS Adapter DAU-2T:

0750006

View of DAU-2T



S0750006

D9/D25 RS-232 Adapter

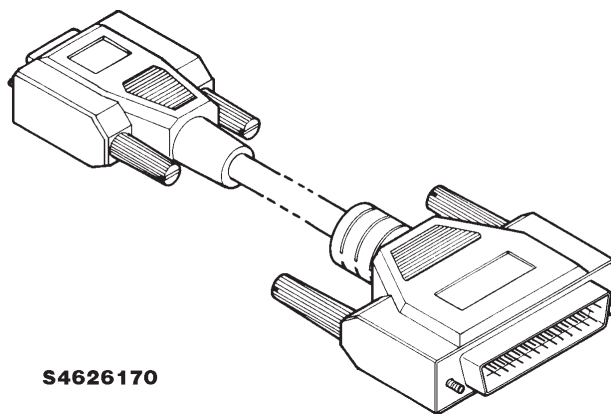
Suitable adapter between DAU-2T and computers having 9 pin D connector as a serial port.

Product Code

D9/D25 RS-232 Adapter:

4626170

View of Adapter



S4626170

Service Cables SCS-4 and SCS-4B

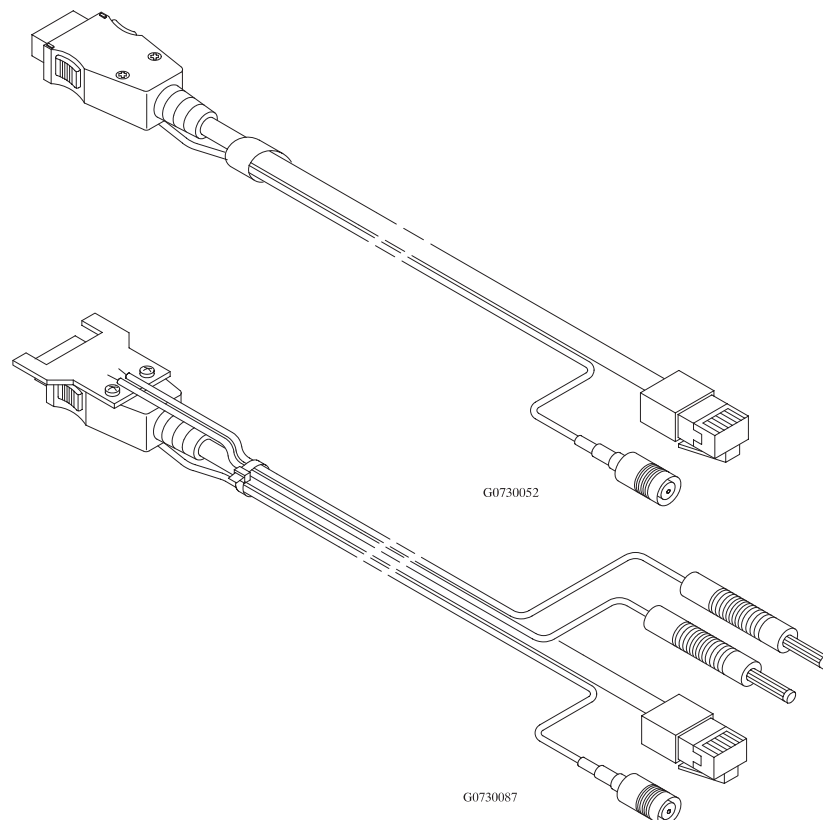
Service cable SCS-4 is an adapter routing RF signal from phone bottom connector to BNC connector. It also contains modular connector that can be used to service purposes.

Service cable SCS-4B have same functions as service cable SCS-4 but enables also power connection to phone.

Product code

Service Cable SCS-4:	0730052
Service Cable SCS-4B:	0730087

View of SCS-4 and SCS-4B



Audio Cable ADS-1

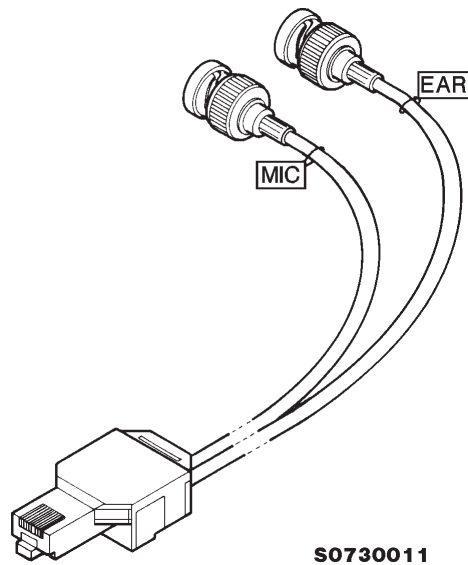
Audio cable is an adapter routing AF signals (MIC/EAR) from 8 pin modular connector to two BNC connectors.

Product code

Audio Cable ADS-1:

0730011

View of ADS-1



Power Connector PCS-1

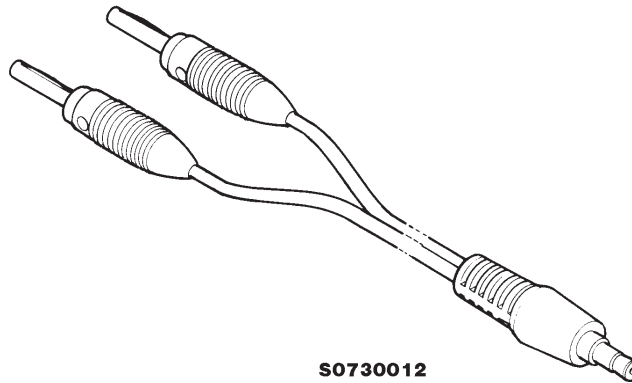
Suitable adapter between JBU-4 and the power supply.

Product code

Power Connector PCS-1:

0730012

View of PCS-1



S0730012

Service Battery BBS-2

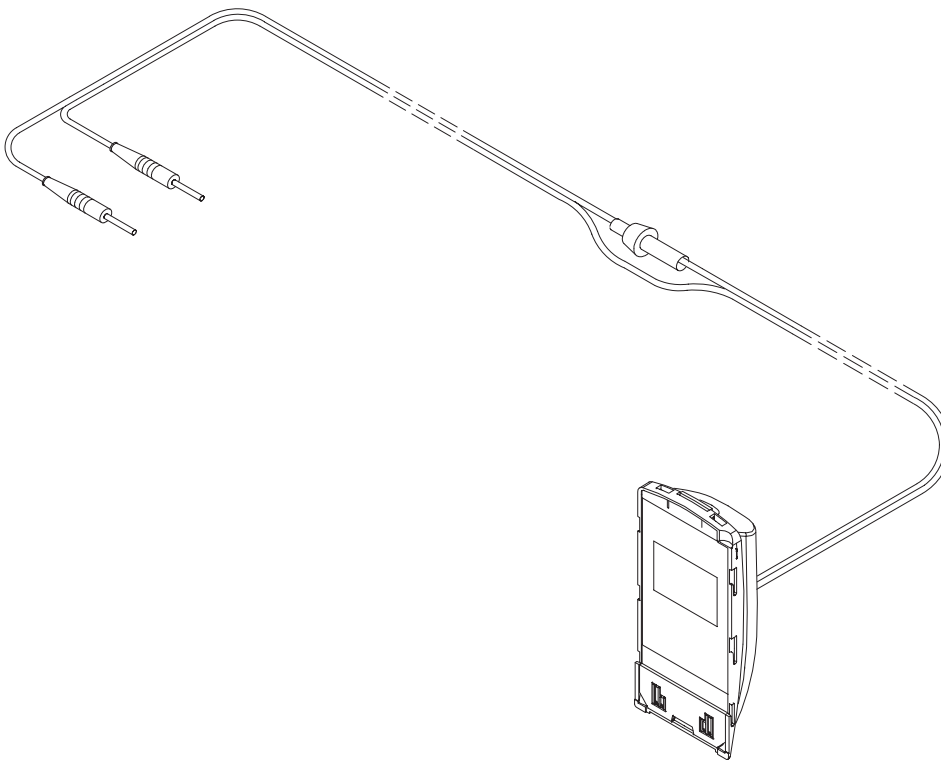
Service battery is convenient device when the battery reference voltage is to be programmed. JBU-4 has a voltage setting for supplying specified reference voltage needed for this programming. Of course the service battery can be used to substitute the normal battery also during normal testing, and optionally the input d.c. may be taken from some external power supply. However, one should take care not to exceed the voltage rating of the phone.

Product code

Service Battery BBS-2:

0775055

View of Service Battery



Module Jig JBS-18

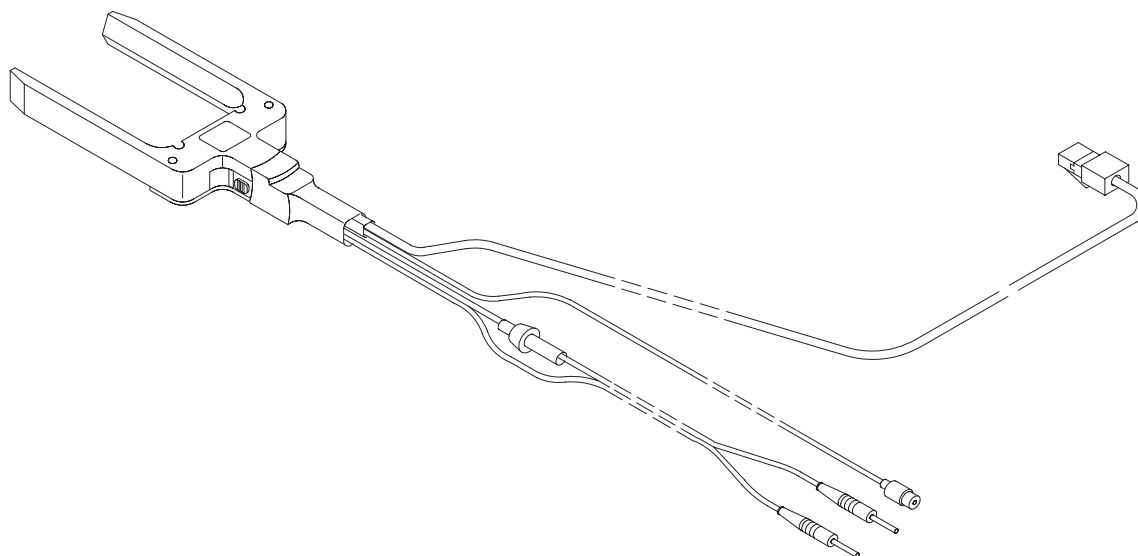
The module jig is for service use. Component level service operations and measurements to open PCB board can be done through that frame.

Product code

Test Module Jig JBS-18:

0770070

View of Module Jig



SW Security Device "Dongle" PKD-1

SW security device "Dongle" is a piece of hardware enabling the use of the service software when connected to the parallel (LPT) port of the PC. Without the dongle present it is not possible to use the service software. Printer or any such device can be connected to the PC through the dongle if needed.

Caution: Make sure that you have switched off the PC and the printer before making connections!

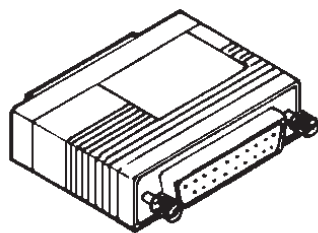
Caution: Do not connect the PKD-1 to the serial port. You may damage your PKD-1!

Product Code

SW Security Device PKD-1:

0750018

View of SW Security Device



G0750018

Battery Adapter CGH-6S

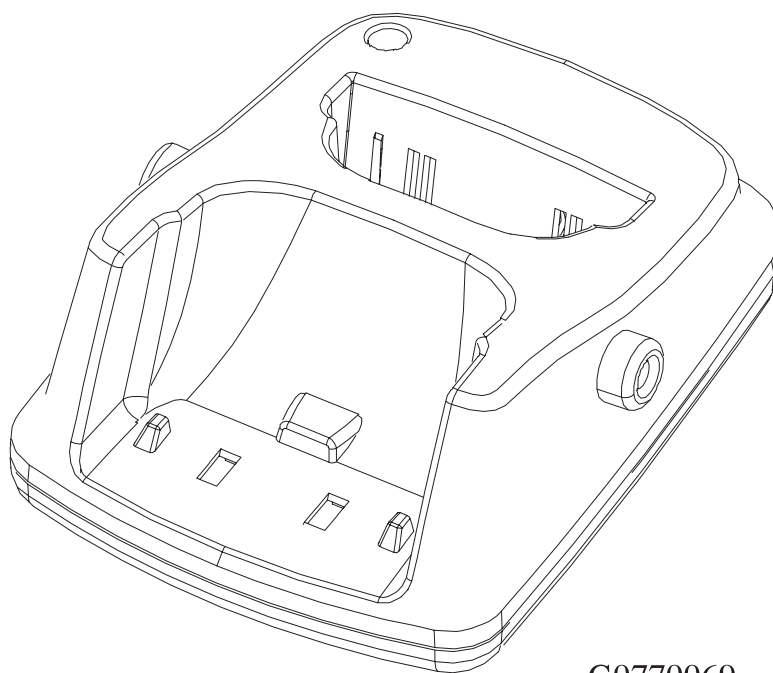
Battery adapter CGH-6S together external battery capacity meter offers a way to check battery capacity. Please note that Li-Ion batteries have internal protection circuitry to prevent deep discharge.

Product Code

Battery Adapter CGH-6S:

0770069

View of Battery Adapter



G0770069

Flash Prommer FPS-4

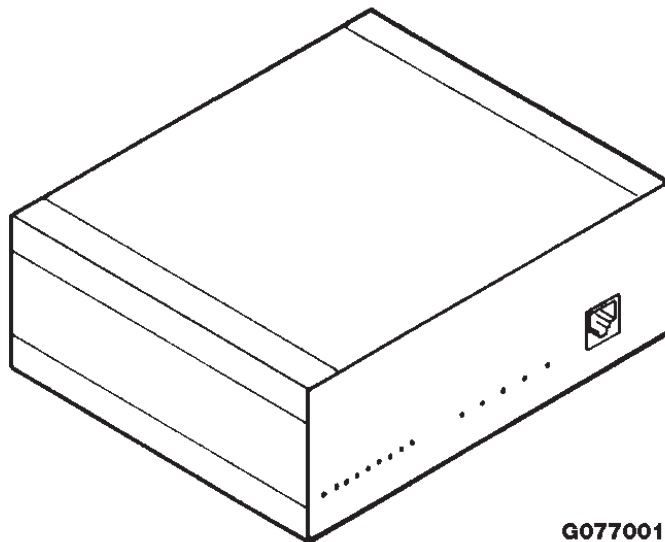
Flash prommer is used to update the main software of the phone, should that some day become necessary. Updating is done by first loading the new MCU software from PC to the FLASH prommer and then loading the new SW from prommer to the phone. When updating more than one phone in a row, the new MCU SW must be loaded to the prommer only in the beginning.

Product Code

Flash Prommer FPS-4:

0750090

View of FPS-4



G0770017

Flash Loading Adapter FLA-3

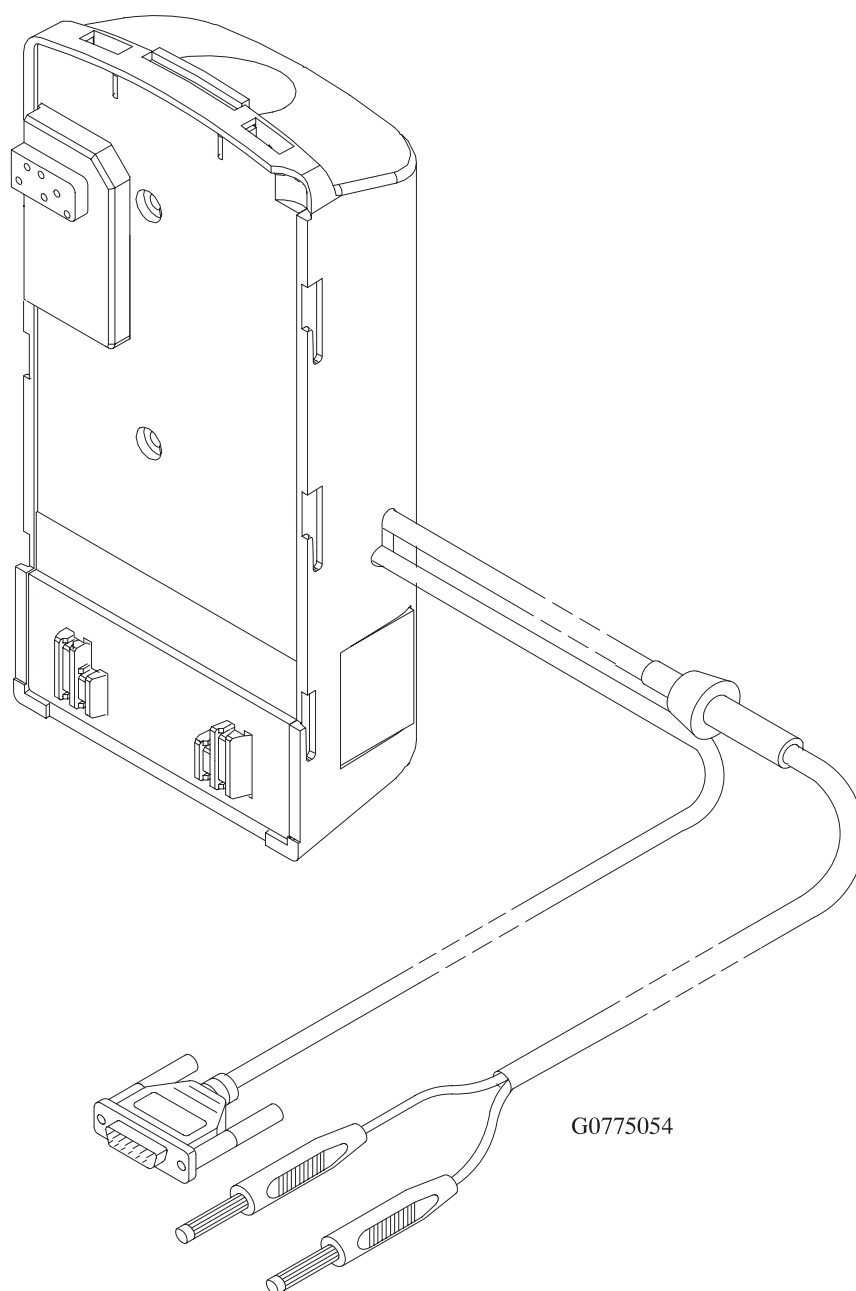
The flash loading adapter is made to be used either via flash prommer FPS-4 or light flash prommer FPS-6. The flash loading adapter also offers same function as the service battery.

Product Code

Flash Loading Adapter FLA-3:

0775054

View of



System Cable SCH-3

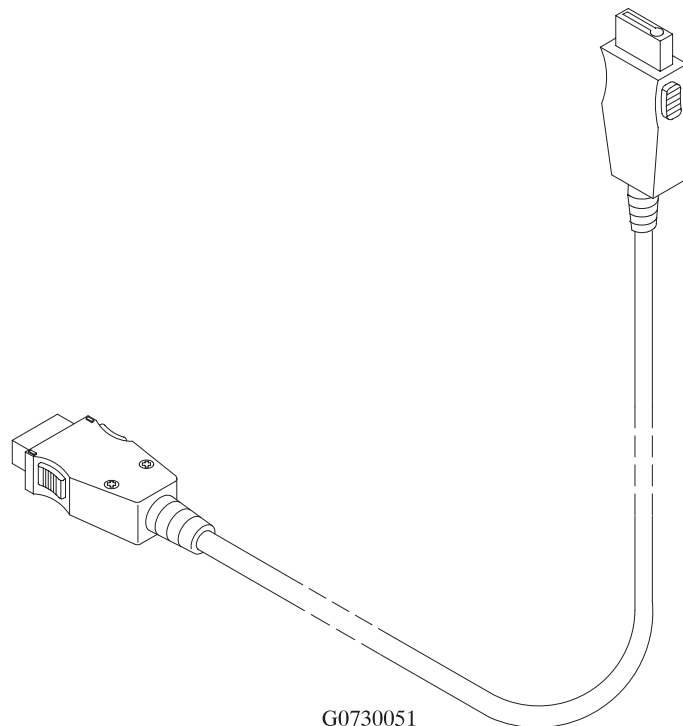
System cable SCH-3 is a cable between two phones. SCH-3 provides transferring data (stored phone numbers etc.) from one phone to another.

Product Code

System Cable SCH-3:

0730051

View of SCH-3



This page intentionally left blank.